

# Keysight L4451A

## 4-Channel Isolated D/A Converter with Memory

Data Sheet





## Introduction

### 4-Channel D/A Converter offers high-voltage analog outputs wherever your application needs it

The Keysight Technologies, Inc. L4451A is a high-performance 4-channel D/A converter that is LXI Class C compliant. With its small size and Ethernet connectivity, the D/A converter can be placed wherever your application needs it.

The Keysight L4451A has four isolated analog channels that are useful to source bias voltages to your device under test, to control your analog programmable power supplies, or use the outputs as setpoints for your control systems. You can use the standard waveforms provided or create your own with over 500,000 points. These points can be dynamically allocated among one or more channels and output as a point-to-point arb.

Using this LXI instrument, you'll get all the benefits of an Ethernet connection, built-in instrument web interface, standard software drivers and more. The LXI standard is supported by multiple vendors, enabling lower cost of test with accelerated test integration and development.

- LXI compliance includes built-in Ethernet connectivity
- Fully-featured graphical web interface
- Four isolated analog outputs
- Outputs up to  $\pm 16$  V or  $\pm 20$  mA DC
- 16-bits of resolution
- 200 kHz update rate
- Default standard waveforms
- Software drivers for most common programming environments

## Isolated analog outputs can be stacked for higher voltage outputs

The L4451A has four independent, isolated channels that can output DC voltage up to  $\pm 16$  V or DC current up to  $\pm 20$  mA with 16 bits of resolution. The gain and offset can be adjusted while in operation. And since these are isolated channels, they can be stacked to create waveforms with higher output voltages.

Each channel can be controlled manually, or use the onboard memory to download a waveform. The 500 k global memory can store up to 32 waveforms. Any waveform can be dynamically allocated among one or more channels and output as a point-to-point arbitrary waveform generator at up to 200 k points/s. You can use the standard sine, square or ramp wave shapes provided or define your own wave shape using over 500,000 points and output to a device under test.

Synchronize your outputs with the CLK that can be divided down for each channel independently.

The L4451A is electronically calibrated using an external DMM and the CAL command.

## System connections you can trust

The L4451A comes with 1 heavy duty 50-pin Dsub connector that allows for simple, reliable connection options. Each connector uses 30 micro-inches of gold to ensure a repeatable, accurate measurement. Other connection options include:

- Detachable terminal blocks with strain relief
- Low-cost, standard 50-pin Dsub connector kits and cables
- Mass interconnect solutions

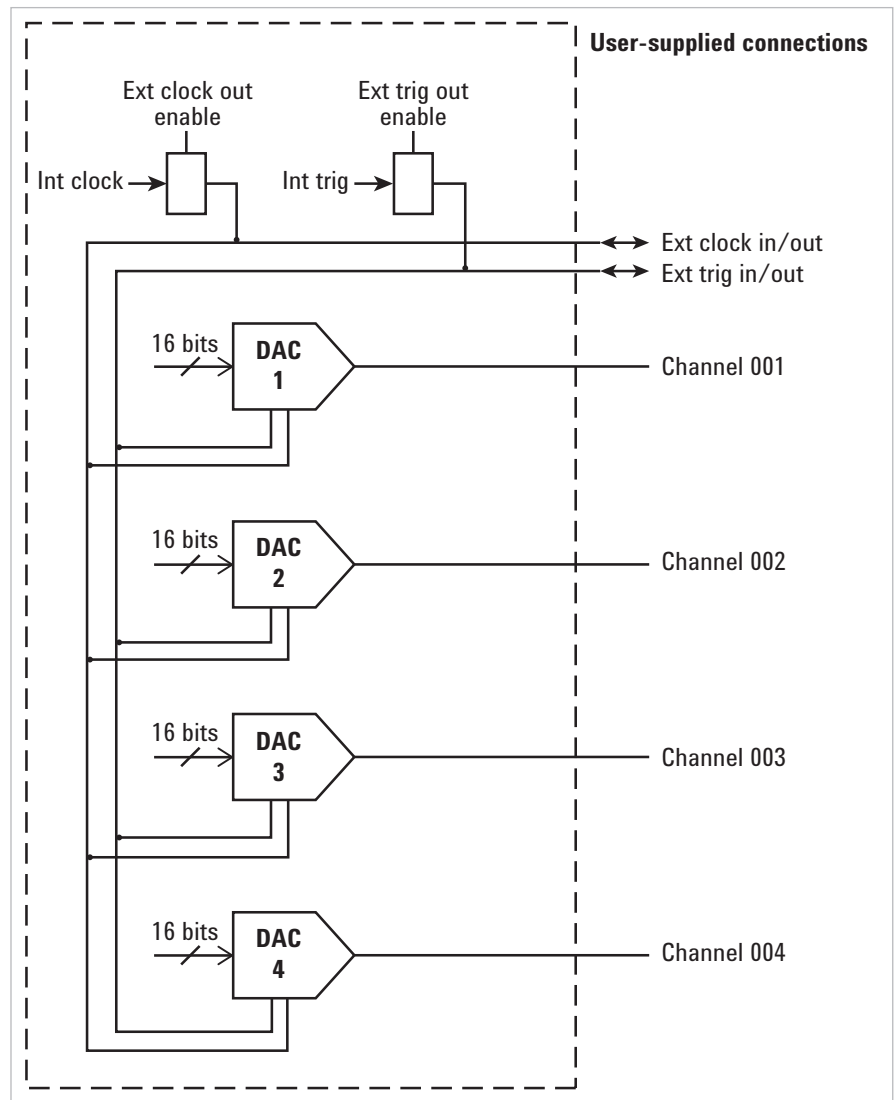


Figure 1. L4451A 4-channel isolated D/A converter.

Ethernet connectivity enables simple connection to the network and remote access to measurements

The Ethernet interface offers high-speed connections that allow for remote access and control. You can set up a private network to filter out unwanted LAN traffic and speed up the I/O throughput, or take advantage of the remote capabilities and distribute your tests worldwide. Monitor, troubleshoot, or debug your application remotely. Ethernet communication also can be used with the support of LAN sockets connections.

The optional GPIB interface has many years of proven reliability and can be used for easy integration into existing applications.

The L4451A ships with the Keysight E2094N I/O Libraries Suite, which enables connections for Keysight and non-Keysight modular and traditional instruments. This makes it easy to configure and integrate instruments into your system.

Fully-featured graphical web interface makes it easy to set-up and troubleshoot your tests from anywhere in the world

The built-in web interface provides remote access and control of the instrument via a Java-enabled browser such as Internet Explorer. Using the web interface, you can set up, troubleshoot, and monitor your instrument from remote locations.

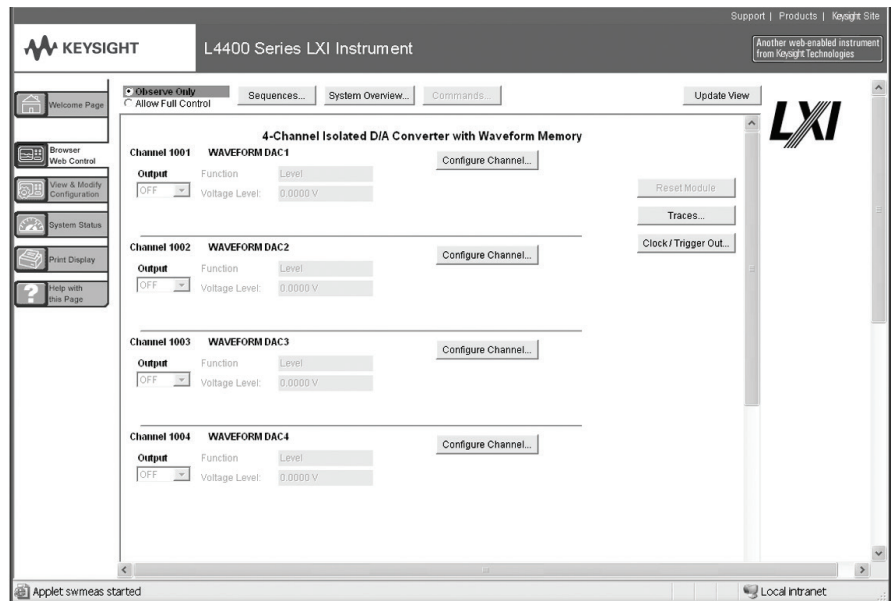


Figure 2. The Web interface makes it easy to set up, troubleshoot and monitor your test remotely.

- View and modify instrument setup
- Configure analog and clock outputs
- Define and output waveforms
- View error queue
- Get status reports, current configuration, firmware revisions, and more

Additionally, since the web interface is built into the instrument, you can access it on any operating system that supports a web browser without having to install any special software. Password protection and LAN lockout are also provided to limit access for additional security.

Software for most popular programming environments

Full support for standard programming environments ensures compatibility and efficiency. You can use direct I/O with your own software, or use standard IVI and LabVIEW software drivers that provide compatibility with the most popular development environments:

- National Instruments LabVIEW, LabWindows/CVI, TestStand, and Switch Manager
- Microsoft C/C++ and Visual Basic

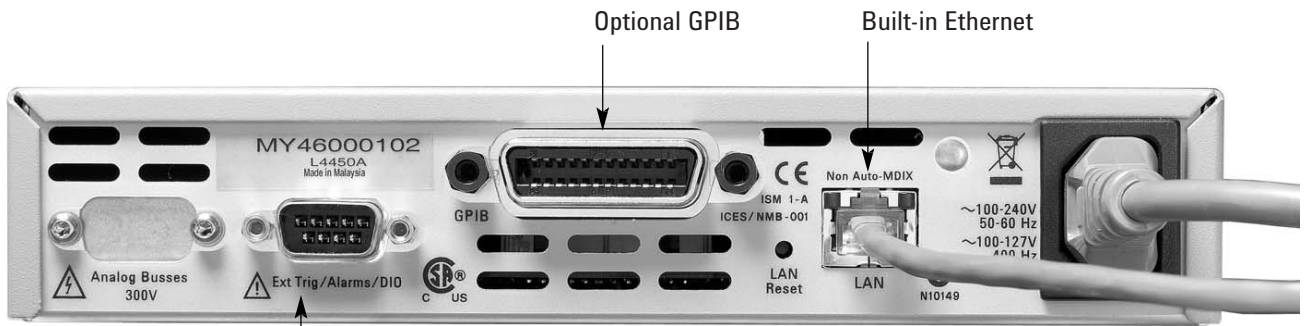
High-performance switching wherever your application needs it



Power button

Status LEDs

Easy connection options with terminal blocks, standard 50-pin cables or connector kits



External trigger to synchronize events

## Product specifications

Output characteristics	
Maximum update rate:	200 kHz point-to-point
Monotonic:	to 16-bits
Isolation:	> 80 VDC/AC peak (channel-to-chassis or channel-to-channel)
Synchronization:	Software commands or external trigger
Internal/external CLK accuracy:	100 ppm
AC accuracy:	Not specified
DC voltage	
Amplitude:	$\pm 16$ V up to 10 mA
Resolution:	16-bit = 500 $\mu$ V
Amplitude accuracy (DC):	$\pm(0.05\% + 3.0$ mV) (90 days, Tcal $\pm 5$ °C or Cal:MOD?: $\pm 5$ °C)
Ripple and noise:	< 2 mVrms, 20 Hz to 250 kHz into 10 k $\Omega$ load
Settling time:	40 $\mu$ s (-full scale to +full scale step, single channel, to rated accuracy)
Output impedance:	< 1 $\Omega$ with the load sensed
DC current	
Range:	$\pm 20$ mA
Resolution:	16-bit = 630 nA
Accuracy:	$\pm(0.09\% + 5.0$ $\mu$ V) (90 days, Tcal $\pm 5$ °C or Cal:MOD?: $\pm 5$ °C)
Ripple and noise:	< 2 $\mu$ Arms, 20 Hz to 250 kHz into 250 $\Omega$
Compliance voltage:	$\pm 12$ V
Max open circuit voltage	< $\pm 22$ V

## Product specifications (continued)

Phase-locking I/O trigger characteristics		
Trigger input	Input level:	TTL compatible (3.3 V logic, 5 V tolerant)
	Slope:	Rising or falling, selectable
	Pulse width:	> 100 ns
	Input impedance:	> 10 k $\Omega$ , DC coupled
Trigger output	Level:	TTL compatible into 1 k $\Omega$ (3.3 V logic)
	Output impedance:	50 $\Omega$ typical
Clock input	Input level:	TTL compatible (3.3 V logic, 5 V tolerant)
	Input impedance:	> 10 k $\Omega$ , DC
	Maximum rate:	10 MHz
Clock output	Level:	TTL compatible Into 1 k $\Omega$ (3.3 V logic)
	Output impedance:	50 $\Omega$ typical
	Maximum rate:	10 MHz
	Accuracy:	$\pm$ 100 ppm
Memory		
Type	Volatile	
Size	500 K for waveforms	
States	5 instrument states with user label in non-volatile memory	
General system specifications		
Power supply	Universal 100 V to 240 V $\pm$ 10%	
Power line frequency	50 Hz to 60 Hz $\pm$ 10% automatically sensed	
Power consumption	15 VA	
Operating environment	Full accuracy for 0°C to 55°C Full accuracy to 80% R.H. at 40 °C	
Storage environment	-40°C to 70°C	
Dimensions (H x W x L)	40.9 x 212.3 x 379.3 mm 1.61 x 8.36 x 14.93 in	
Weight	3.7 kg, 8.2 lbs	
Safety conforms to	CSA, UL/IEC/EN 61010-1	
EMC conforms to	IEC/EN 61326-1, CISPR 11	
Warranty	3 years	

## Product specifications (continued)

<b>Software</b>		
	Keysight connectivity software included	Keysight I/O Libraries Suite 14 or greater (E2094N)
<b>Minimum system requirements</b>		
	PC hardware	Intel Pentium 100 MHz, 64 Mbyte RAM, 210 Mbyte disk space Display 800x600, 256 colors, CD-ROM drive
	Operating system <sup>1</sup>	Windows 98 SE/NT/2000/XP
<b>Computer interface</b>		
		Standard LAN 10BaseT/100BaseTx Optional IEEE 488.2 GPIB
<b>Software driver support for programming languages</b>		
	Software drivers	IVI-C and IVI-COM for Windows NT/2000/XP LabVIEW
	<b>Compatible with programming tools and environments</b>	
	Keysight	VEE Pro
	National Instruments	TestStand
		Measurement Studio
		LabWindows/CVI
		LabVIEW
		Switch Executive
	Microsoft	Visual Studio.NET
		C/C++
		Visual Basic 6

<sup>1</sup> Load I/O Libraries Version M for Windows NT support or version 14.0 for Windows 98 SE support



## Ordering information

L4451A 4-channel isolated  
D/A converter with memory

Includes User's guide on CD, power  
cord, and Quick Start package

Option -GPIB

Adds GPIB interface

Option 0B0

Deletes printed manual set, full  
documentation included on CD ROM

Option ABA

English printed manual set

Connection options

Select terminal block for discrete  
wiring, cables or connector kits.  
Cables and connector kits require 2 per  
instrument.

34951T

Terminal block for 34951A and L4451A  
4-Ch D/A converter

Y1135A

1.5 m 50-pin Dsub, M/F twisted pair  
with outer shield cable – 300 V

Y1136A

3 m 50-pin Dsub, M/F twisted pair with  
outer shield cable – 300 V

Y1141A

Solder cup connector kit with male  
50-pin Dsub

## Other accessories

Y1160A

Rack mount kit for L4400 series instru-  
ments-racks 2 instruments side-by-side  
with sliding tray

*Note: when using the L4400 Series  
Rack Mount Kit, use the Y1139A solder  
cup connector kit rather than the  
34921T terminal block.*

For additional information please visit:  
<http://www.keysight.com/find/L4451A>

## Related literature

Data sheets

5988-6302EN, *Keysight VEE Pro*

5989-1441EN, *Keysight W1130B T&M  
Toolkit 2.1 with Test Automation*

5989-1439EN, *Keysight E2094N I/O  
Libraries Suite 15.5*

**myKeysight**

**myKeysight**

[www.keysight.com/find/mykeysight](http://www.keysight.com/find/mykeysight)

A personalized view into the information most relevant to you.



[www.axiestandard.org](http://www.axiestandard.org)

AdvancedTCA® Extensions for Instrumentation and Test (AXIe) is an open standard that extends the AdvancedTCA for general purpose and semiconductor test. Keysight is a founding member of the AXIe consortium.



[www.lxistandard.org](http://www.lxistandard.org)

LAN eXtensions for Instruments puts the power of Ethernet and the Web inside your test systems. Keysight is a founding member of the LXI consortium.



[www.pxisa.org](http://www.pxisa.org)

PCI eXtensions for Instrumentation (PXI) modular instrumentation delivers a rugged, PC-based high-performance measurement and automation system.



**Three-Year Warranty**

[www.keysight.com/find/ThreeYearWarranty](http://www.keysight.com/find/ThreeYearWarranty)

Keysight's commitment to superior product quality and lower total cost of ownership. The only test and measurement company with three-year warranty standard on all instruments, worldwide.



**Keysight Assurance Plans**

[www.keysight.com/find/AssurancePlans](http://www.keysight.com/find/AssurancePlans)

Up to five years of protection and no budgetary surprises to ensure your instruments are operating to specification so you can rely on accurate measurements.



[www.keysight.com/quality](http://www.keysight.com/quality)

Keysight Electronic Measurement Group  
DEKRA Certified ISO 9001:2008  
Quality Management System

**Keysight Channel Partners**

[www.keysight.com/find/channelpartners](http://www.keysight.com/find/channelpartners)

Get the best of both worlds: Keysight's measurement expertise and product breadth, combined with channel partner convenience.

[www.keysight.com/find/L4451A](http://www.keysight.com/find/L4451A)

For more information on Keysight Technologies' products, applications or services, please contact your local Keysight office. The complete list is available at: [www.keysight.com/find/contactus](http://www.keysight.com/find/contactus)

**Americas**

Canada	(877) 894 4414
Brazil	55 11 3351 7010
Mexico	001 800 254 2440
United States	(800) 829 4444

**Asia Pacific**

Australia	1 800 629 485
China	800 810 0189
Hong Kong	800 938 693
India	1 800 112 929
Japan	0120 (421) 345
Korea	080 769 0800
Malaysia	1 800 888 848
Singapore	1 800 375 8100
Taiwan	0800 047 866
Other AP Countries	(65) 6375 8100

**Europe & Middle East**

Austria	0800 001122
Belgium	0800 58580
Finland	0800 523252
France	0805 980333
Germany	0800 6270999
Ireland	1800 832700
Israel	1 809 343051
Italy	800 599100
Luxembourg	+32 800 58580
Netherlands	0800 0233200
Russia	8800 5009286
Spain	0800 000154
Sweden	0200 882255
Switzerland	0800 805353
	Opt. 1 (DE)
	Opt. 2 (FR)
	Opt. 3 (IT)
United Kingdom	0800 0260637

For other unlisted countries:  
[www.keysight.com/find/contactus](http://www.keysight.com/find/contactus)  
(BP-06-16-14)